

IS 3360

DALI-2 APC - in-ceiling installation, rd.
 EAN 4007841 080631
 Article number 080631



infrared sensor
360°



max. 20 m



IP20



2 - 1000 lux



5 sec - 15 min



manual override



ideal 2.5 - 4 m

Teach

Teach mode



energy saving

5 years

manufacturer's
warranty steinel-
professional.de/
garantie

Function description

Higher, further, faster. Infrared presence detector IS 3360 for indoors and out, ideal for watching over high spaces and large areas, such as multi-storey and underground car parks, installation height up to 4 m, 360° angle of coverage, reach 20 m max. (tangential). Available either in round or square surface-mounted and concealed version.

Technical specifications

Dimensions (Ø x H)	124 x 121 mm
With motion detector	Yes
Manufacturer's Warranty	5 years
Settings via	Remote control, Potentiometers, Smart Remote
With remote control	No
Version	DALI-2 APC - in-ceiling installation, rd.
PU1, EAN	4007841080631
Type	Motion and Presence Detector
Application, place	Indoors
Application, room	production facilities, recreation room, changing room, function room / ancillary room, sports hall, reception / lobby, stairwell, WC / washroom, multi-storey / underground car park, warehouse, Indoors
Colour	white

Optimum mounting height	2,8 m
Detection angle	360 °
Angle of aperture	180 °
Sneak-by guard	Yes
Capability of masking out individual segments	Yes
Electronic scalability	No
Mechanical scalability	No
Reach, radial	Ø 8 m (50 m ²)
Reach, tangential	Ø 40 m (1257 m ²)
Reach, presence	Ø 3 m (7 m ²)
Switching zones	1416 switching zones
Functions	Normal / test mode, Manual ON / ON-OFF, Constant-lighting control ON-OFF
Twilight setting	2 – 1000 lx
Time setting	5 s – 15 Min.
Basic light level function	Yes

IS 3360

DALI-2 APC - in-ceiling installation, rd.
 EAN 4007841 080631
 Article number 080631



Technical specifications

Colour, RAL	9003	Basic light level function time	1-30 min, all night
Includes corner wall mount	No	Main light adjustable	50 - 100 %
Installation site	ceiling	Twilight setting TEACH	Yes
Installation	In-ceiling installation, Ceiling	Constant-lighting control	Yes
IP-rating	IP20	Interconnection	Yes
Ambient temperature	from -20 up to 50 °C	Type of interconnection	Master/slave
Material	Plastic	Interconnection via	Cable
Mains power supply	220 – 240 V / 50 – 60 Hz	Product category	Presence detector
Steuerausgang, Dali	Broadcast 1x30 electronic ballasts		
Technology, sensors	passive infrared, Light sensor		
Mounting height	2,50 – 4,00 m		
Mounting height max.	4,00 m		

Accessories

EAN 4007841 009151	Remote control Smart Remote
EAN 4007841 559410	Service remote control RC8
EAN 4007841 592806	User remote control RC5
EAN 4007841 056742	Black cover for IR-sensors

IS 3360

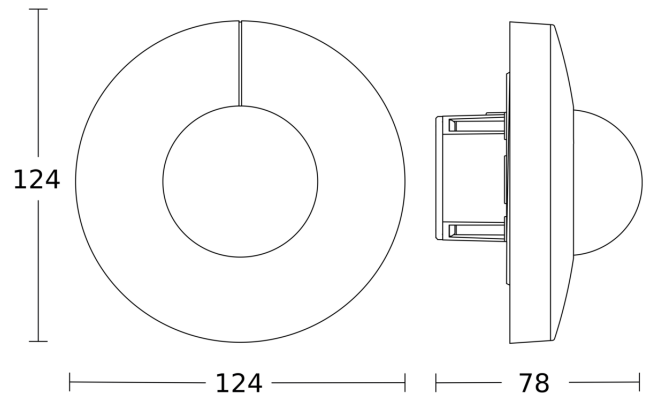
DALI-2 APC - in-ceiling installation, rd.
EAN 4007841 080631
Article number 080631

Detection Zone

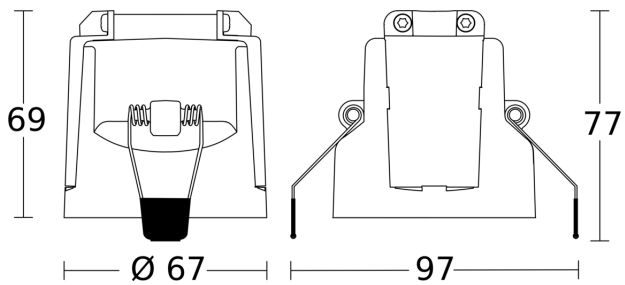


Possible mounting height: 2,50 m - 4,00 m
Orange: radial
Black: tangential

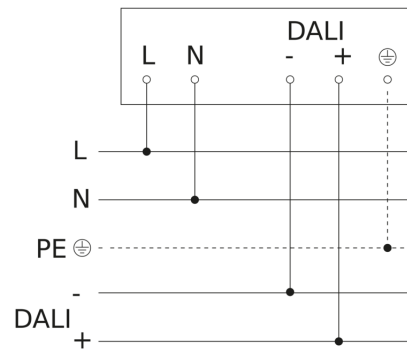
Dimension Drawing 1



Dimension Drawing 2



Master circuit diagram



IS 3360

DALI-2 APC - in-ceiling installation, rd.
EAN 4007841 080631
Article number 080631



Circuit diagram for interconnecting DALI-2 APC with DALI-2 IPD

